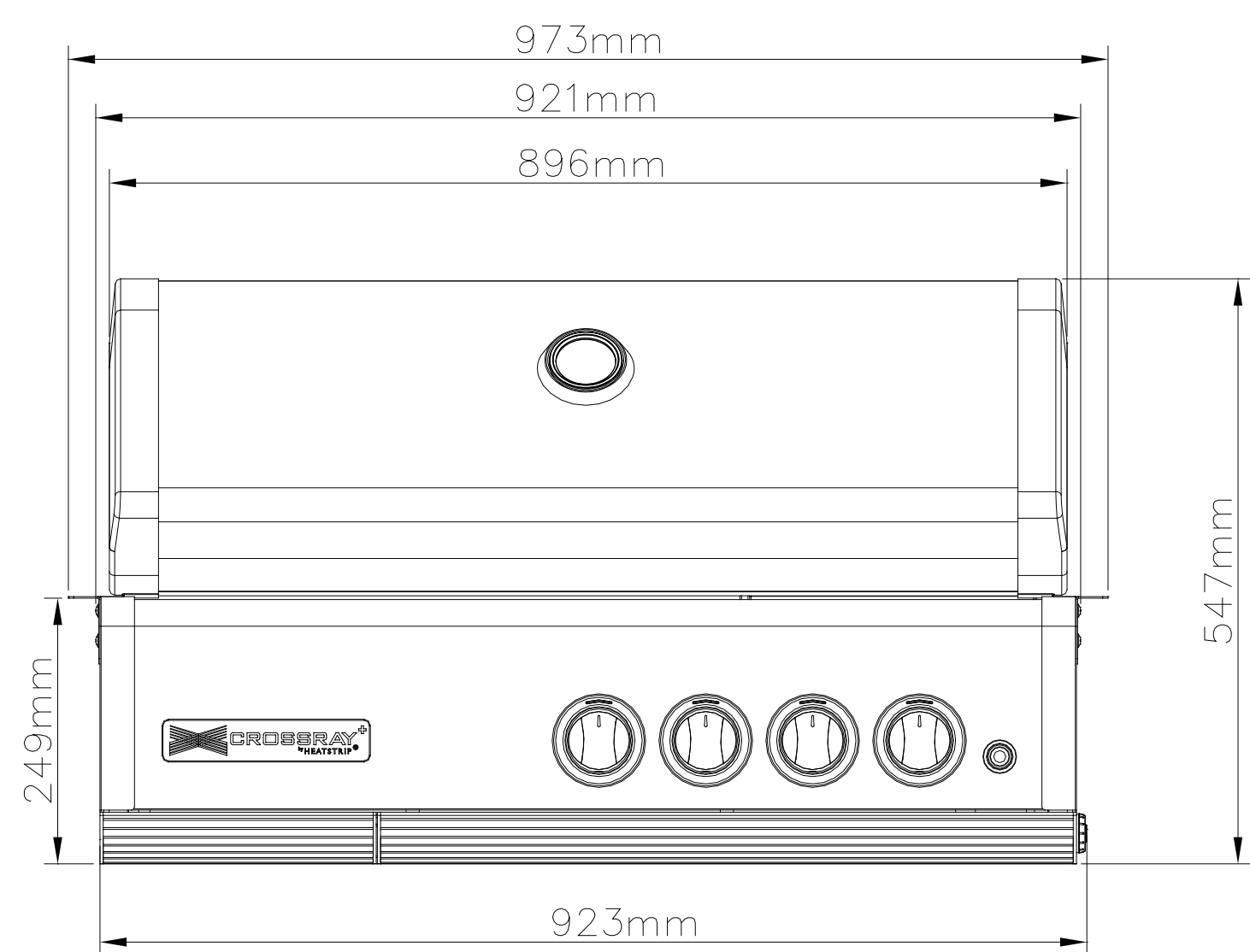
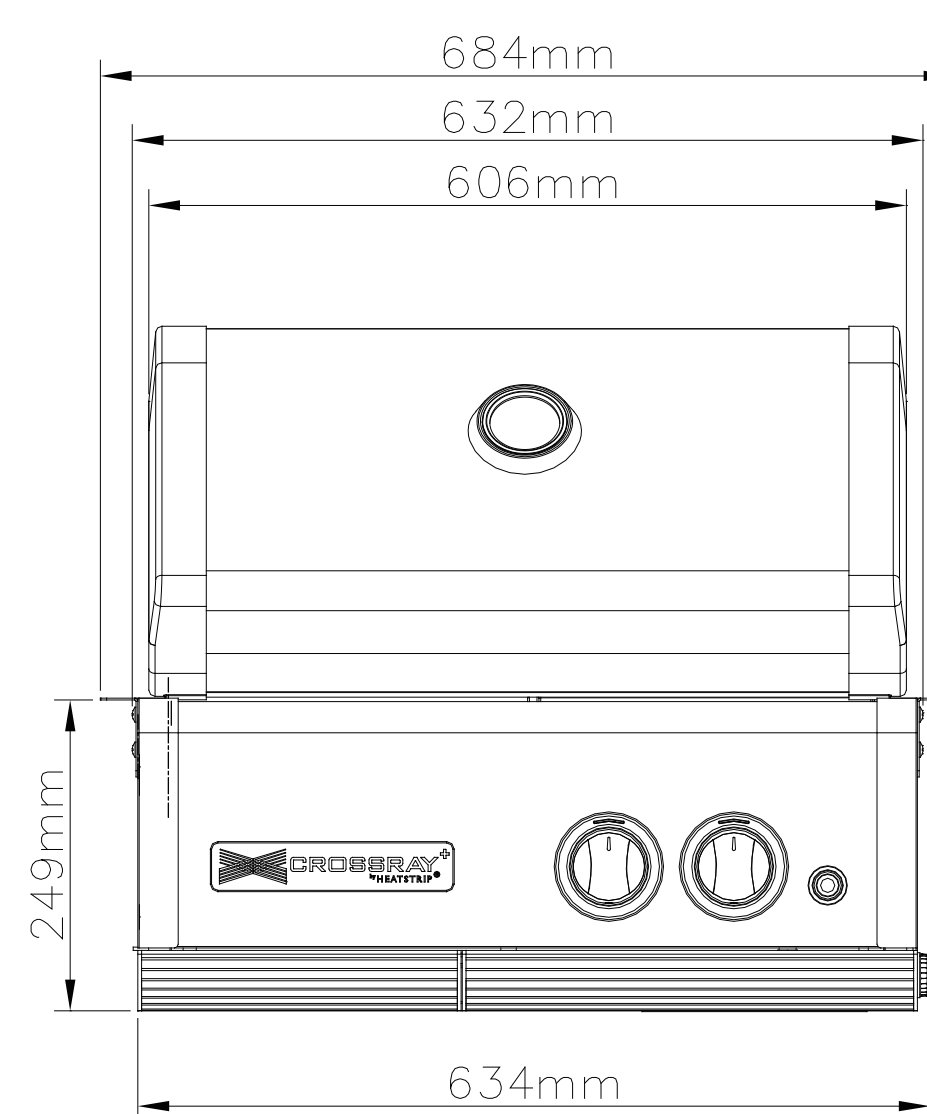


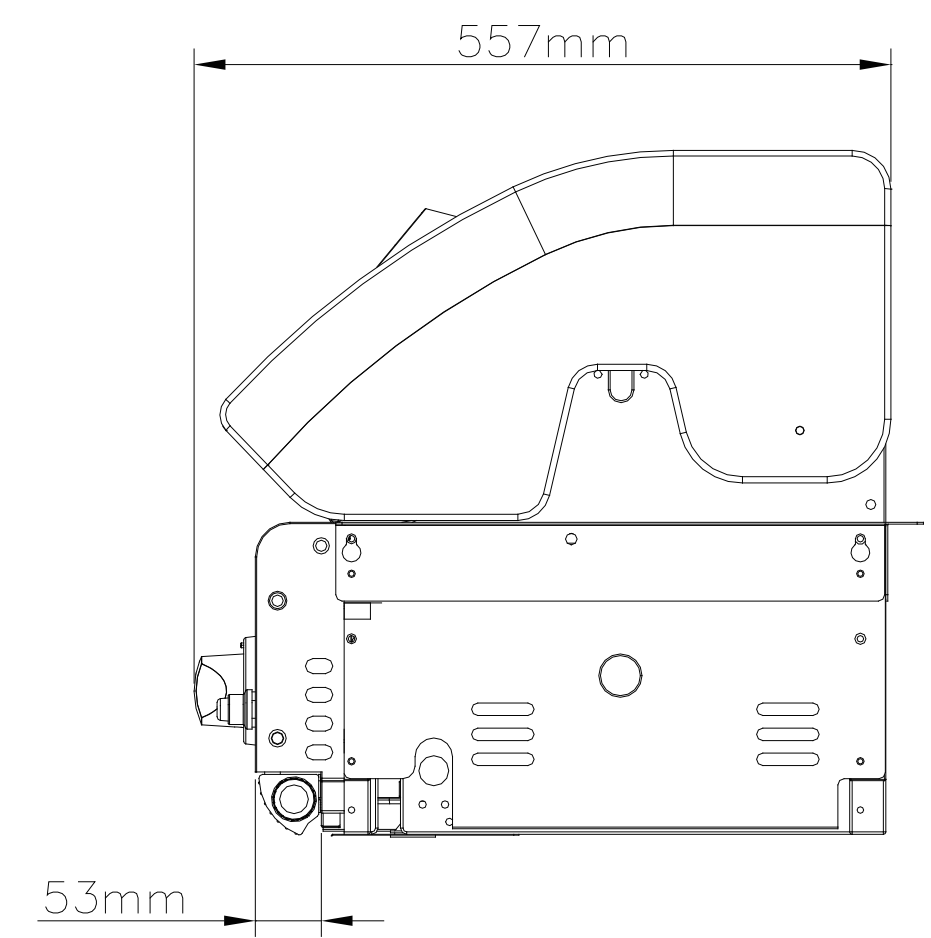
## Grill Dimension



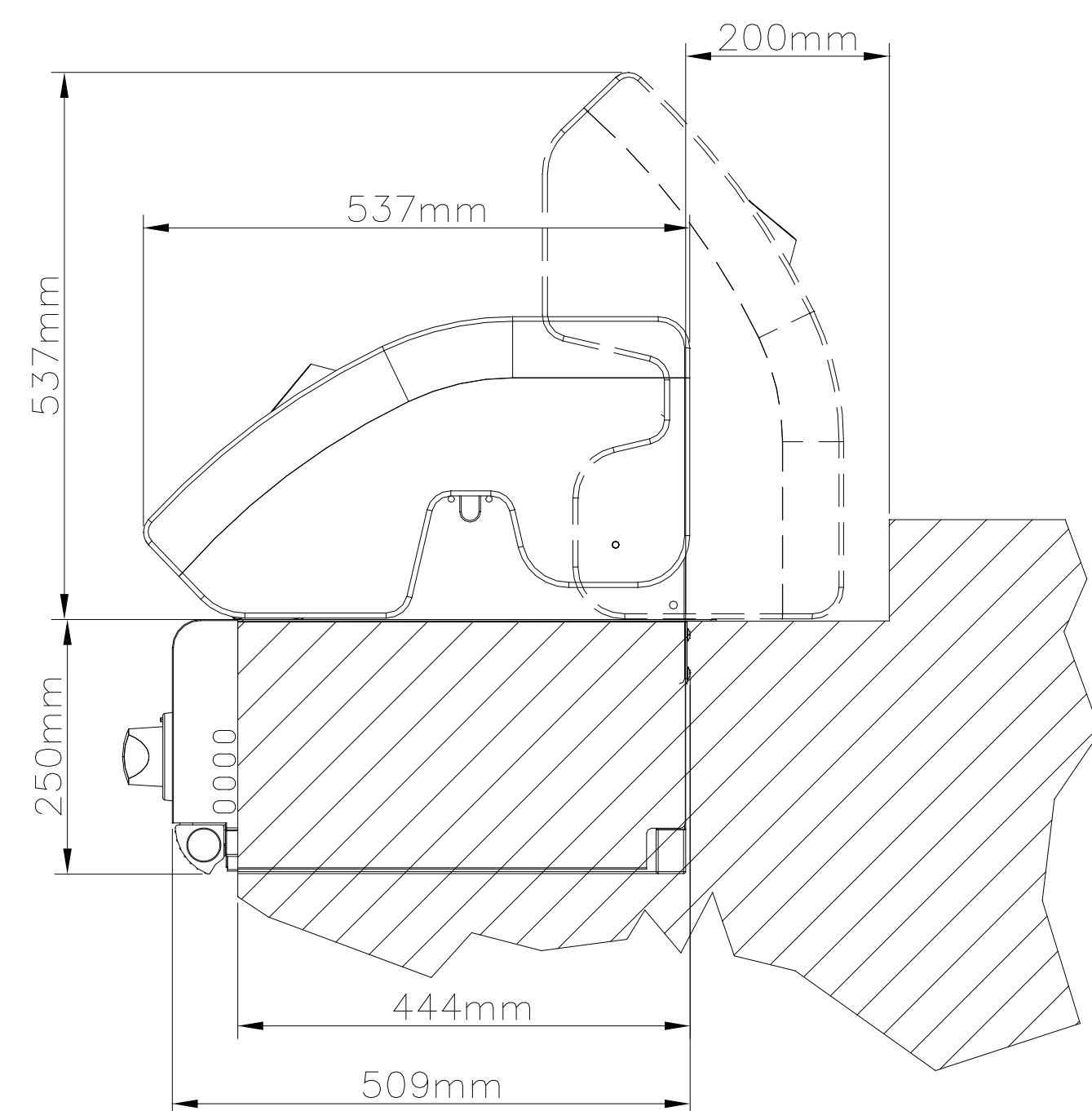
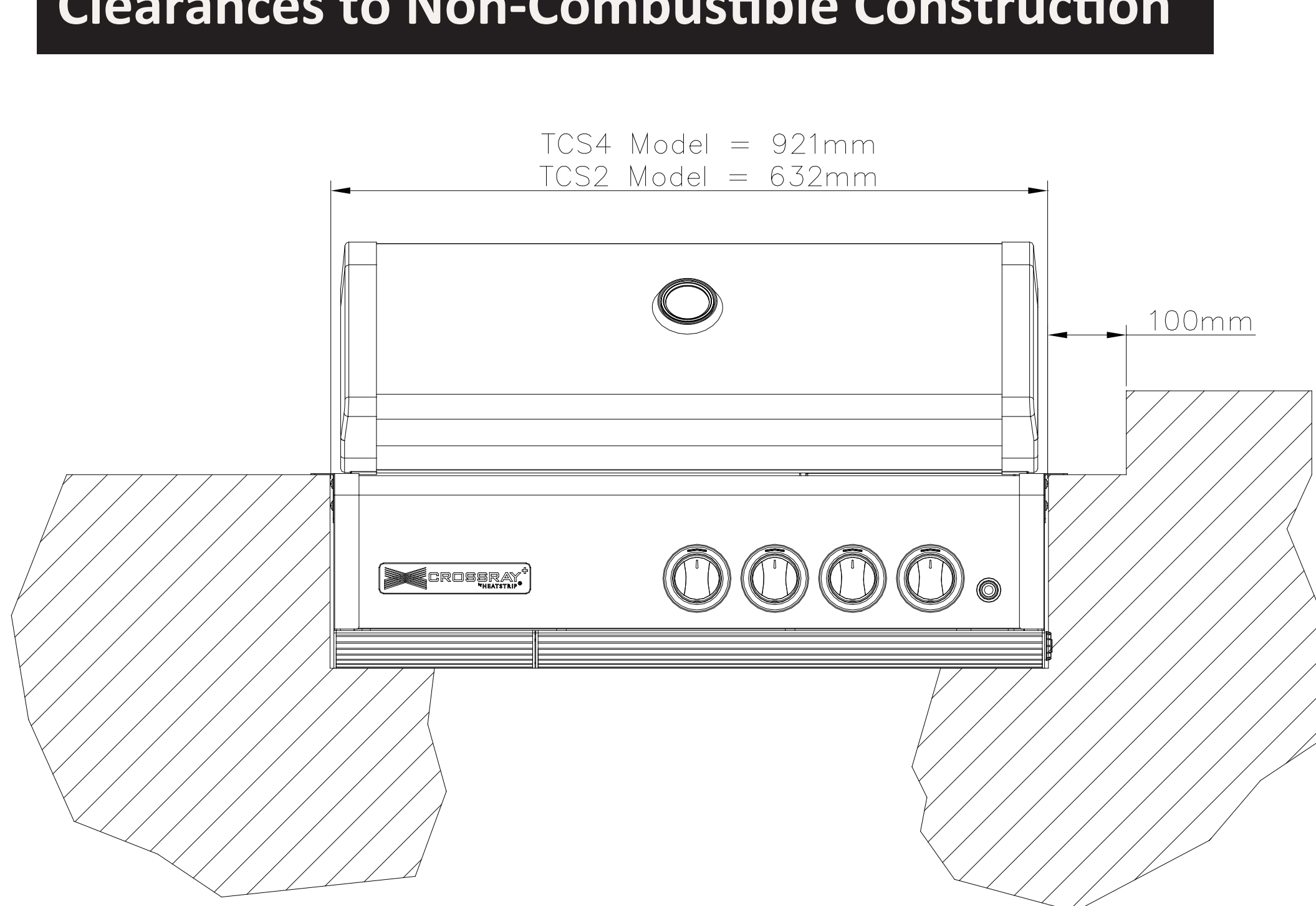
TCS 4 Inbuilt



TCS 2 Inbuilt



## Clearances to Non-Combustible Construction



**Important! Gas fittings, regulator, and installer supplied shut-off valves must be easily accessible**

Note: All dimension shown refer to installation into a non-combustible enclosure. Minimum dimensions to combustible material is 50cm to right, left and 100cm above the grill. A minimum of 80cm clearance to combustibles from the rear of the grill is required.

## Built-in planning guide for Non-Combustible enclosures Construction

