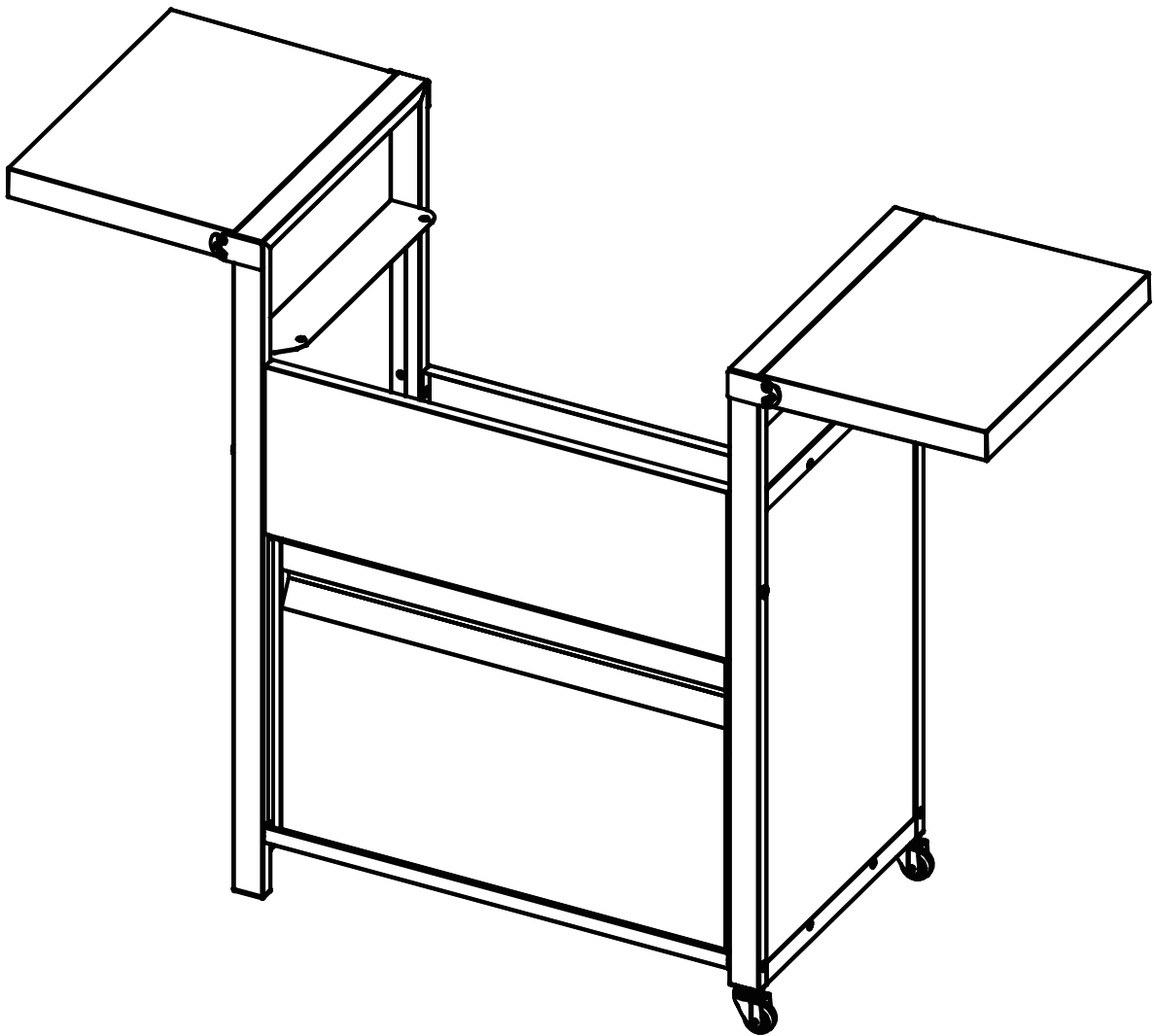




TCE22 - TROLLEY ASSEMBLY INSTRUCTIONS



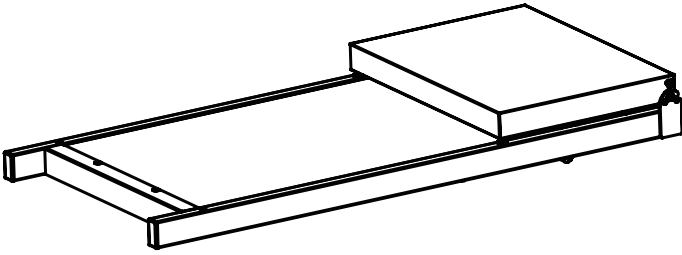
Thermofilm Australia Pty Ltd
8 Lakeview Drive Scoresby
Victoria 3179, Australia
Telephone: (03) 9562 3455
Email: Sales@crossray.com.au

CONTACT INFORMATION

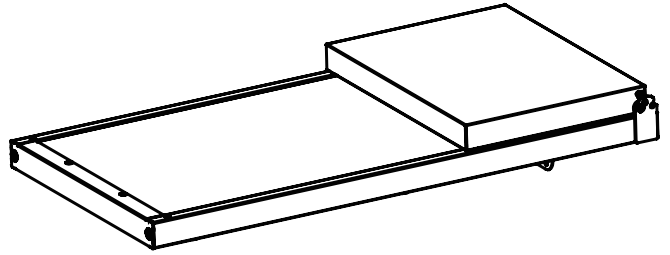
For spare parts order or service warranty and Natural Gas Conversion queries call (03) 9562 3455 or email Sales@crossray.com.au Your purchase receipt is required for all warranty claims. Retain manual for future reference.

Parts list

① Trolley Side Left (1Pcs)



② Trolley Side Right (1Pcs)



③ Bottom Panel (1Pcs)



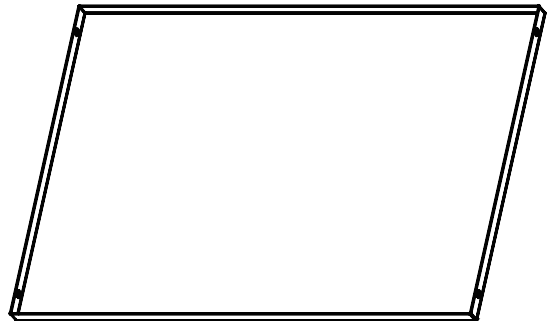
④ Door (1Pcs)



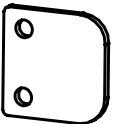
⑤ Front Panel (1Pcs)



⑥ Back Panel (1Pcs)



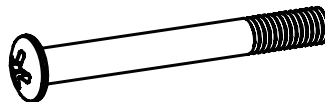
⑦ Door Stop Plate (1Pcs)



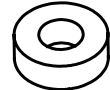
⑧ Phillip Screws M6X15 (10Pcs)



⑨ Part Thread Screws M6X55 (4Pcs)



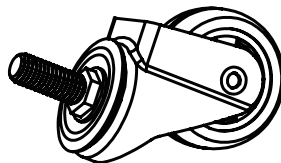
⑩ Plastic (1Pcs)



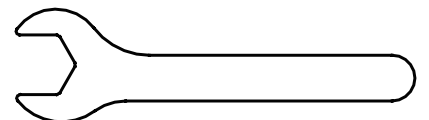
⑪ Spring Washer (2Pcs)



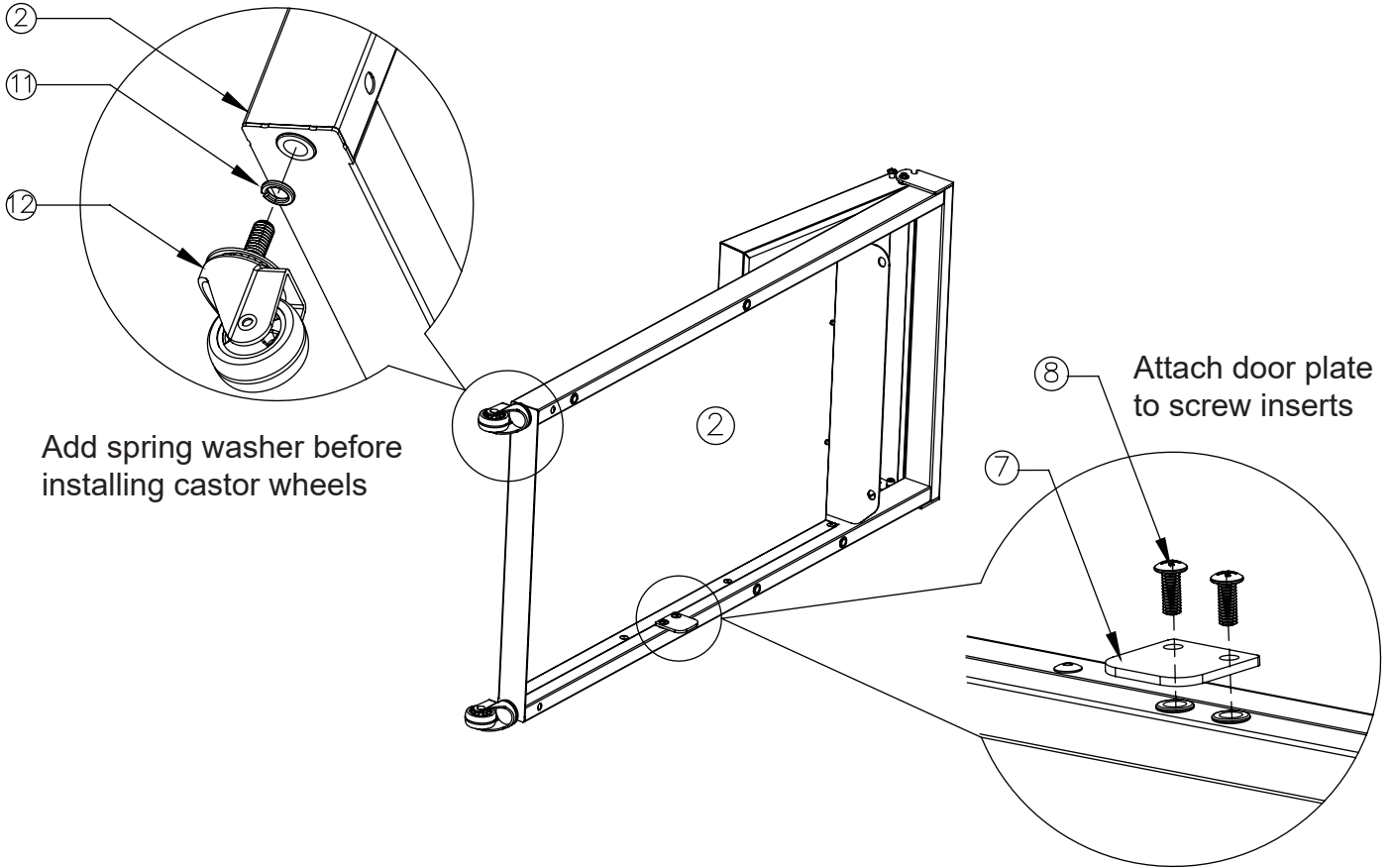
⑫ Castor Wheels (2Pcs)



⑬ Wrench (1Pcs)



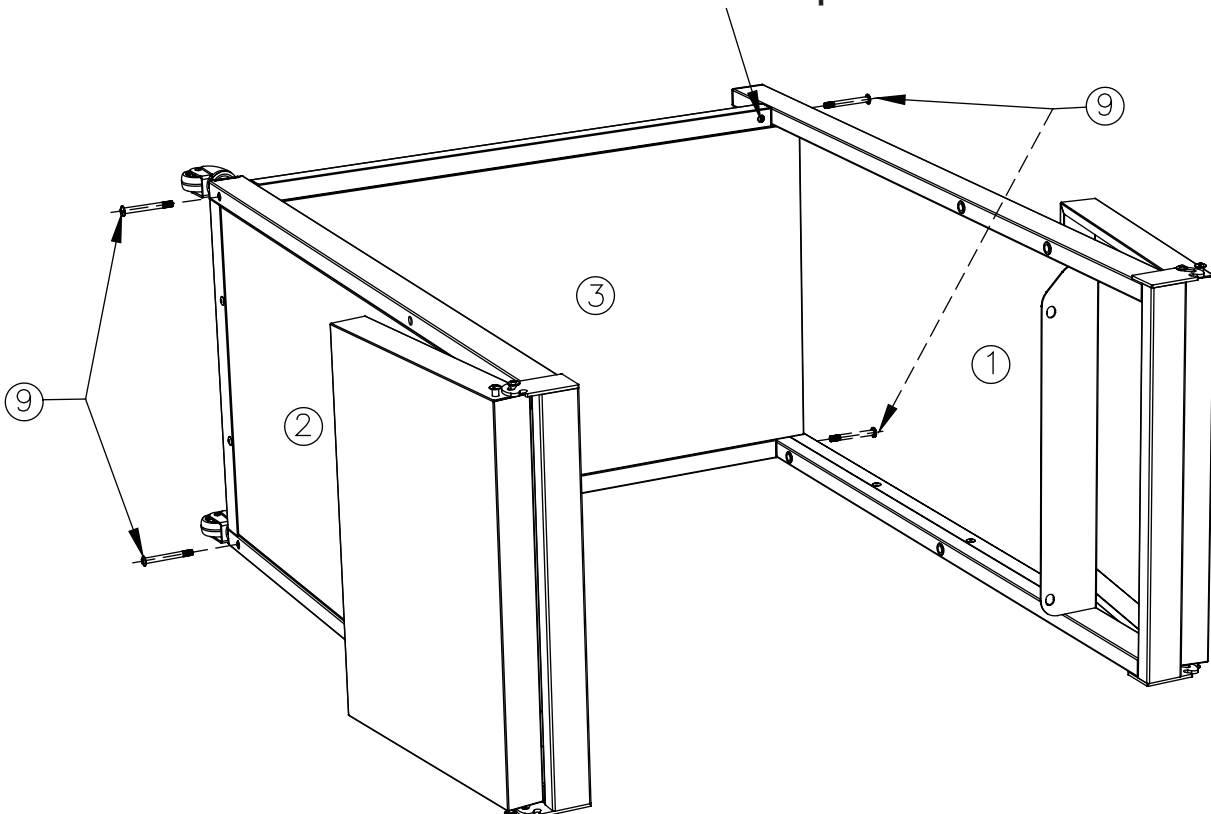
1



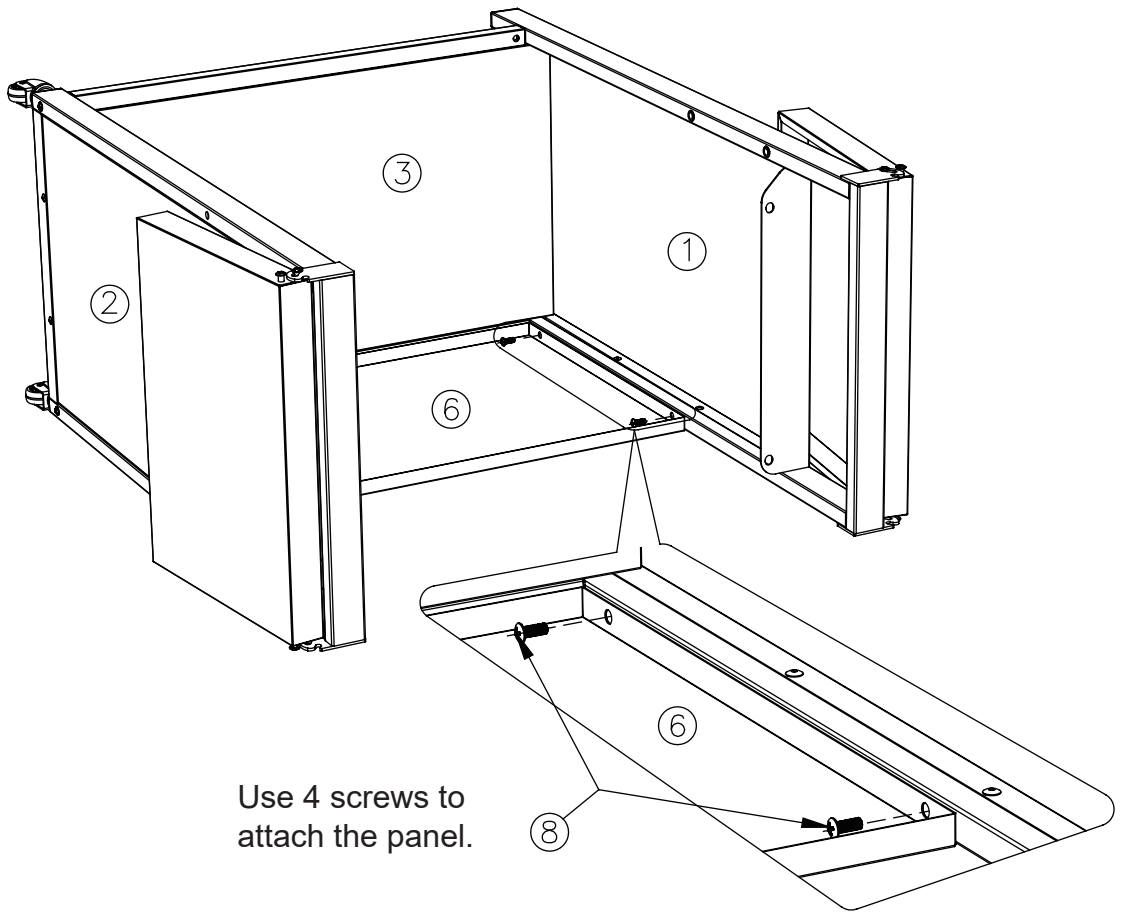
2



Note: When attaching the sides to the bottom panel, make sure door hole is located on the top.



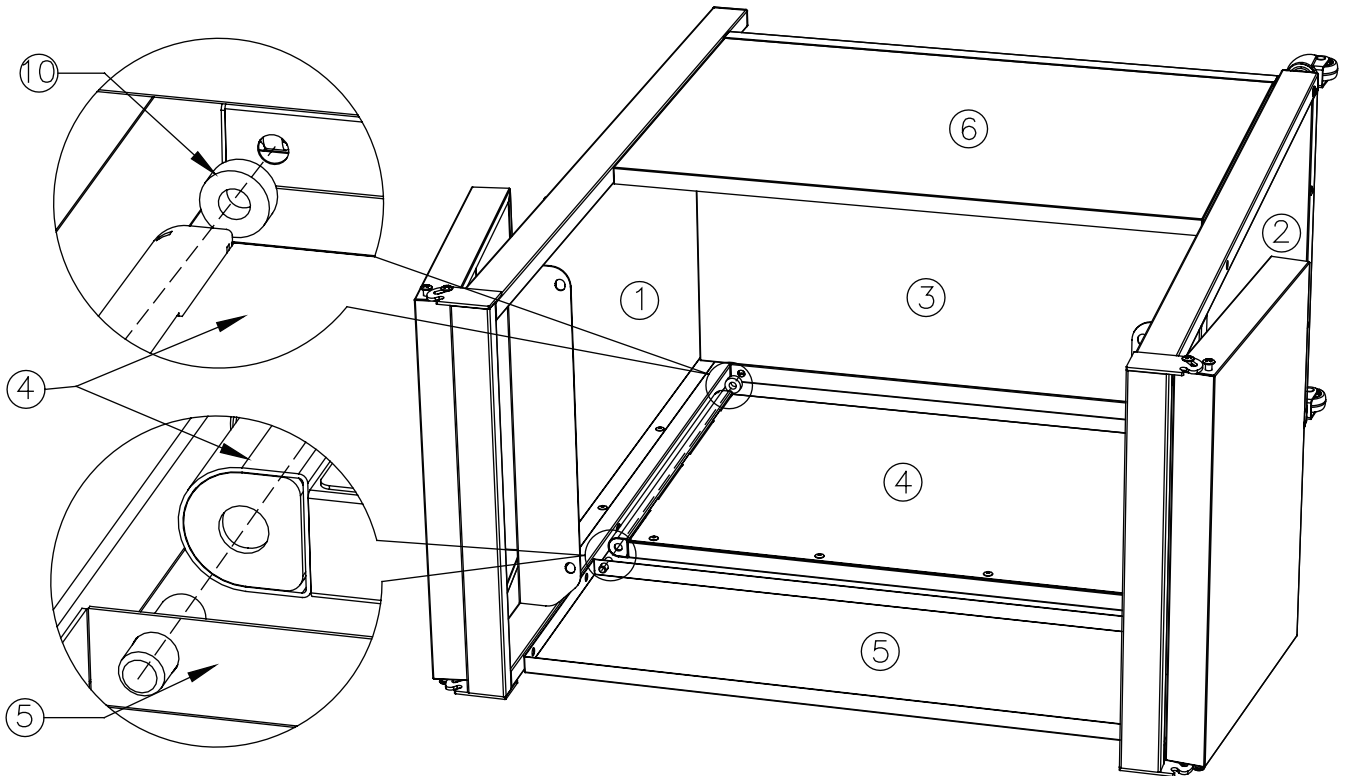
3



Use 4 screws to attach the panel.

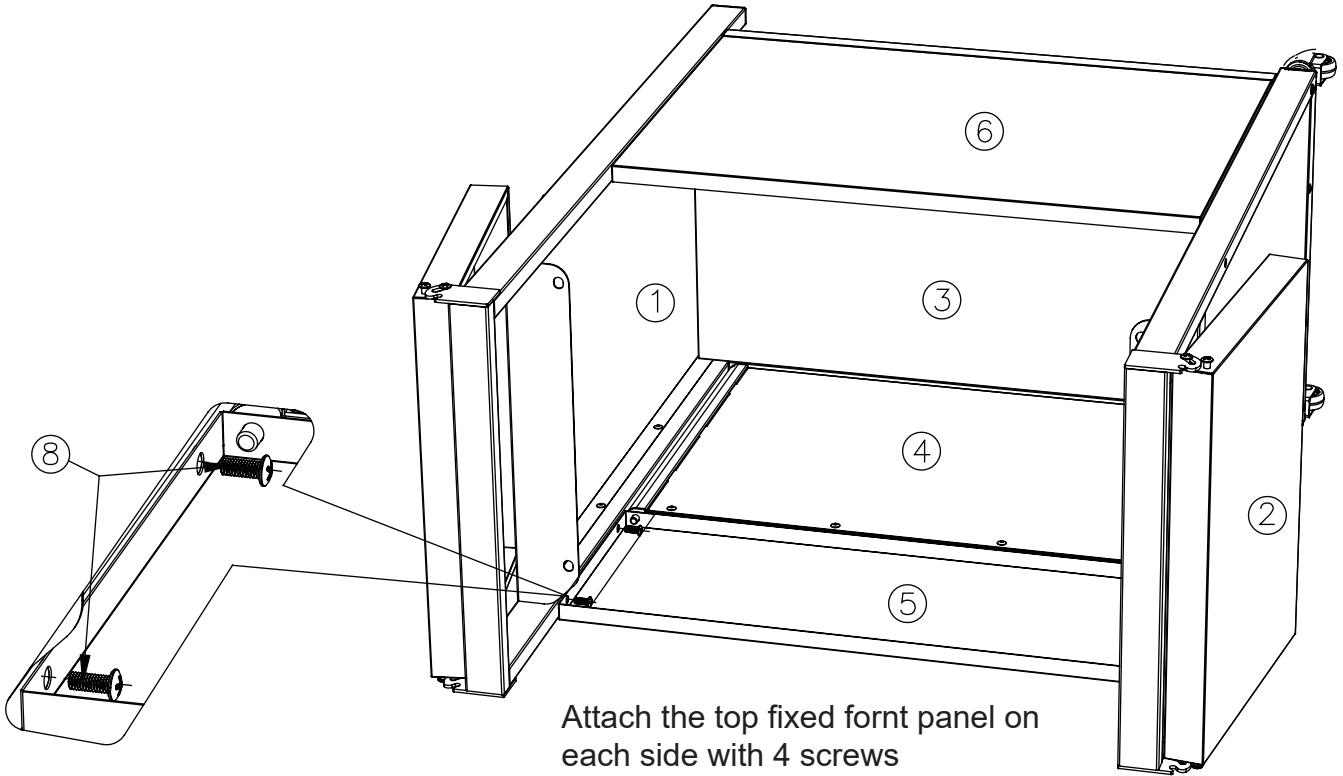
4

(1) Fit the front door panel in place.

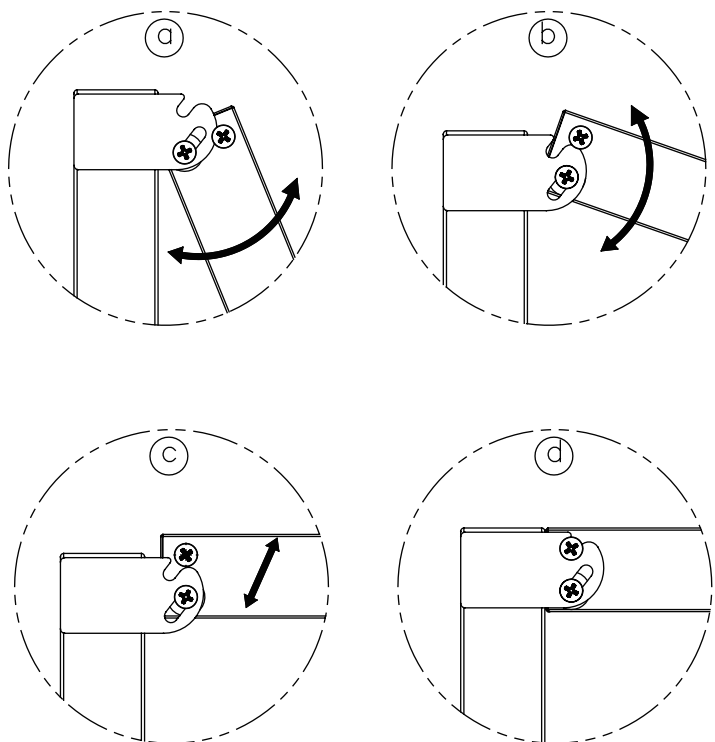
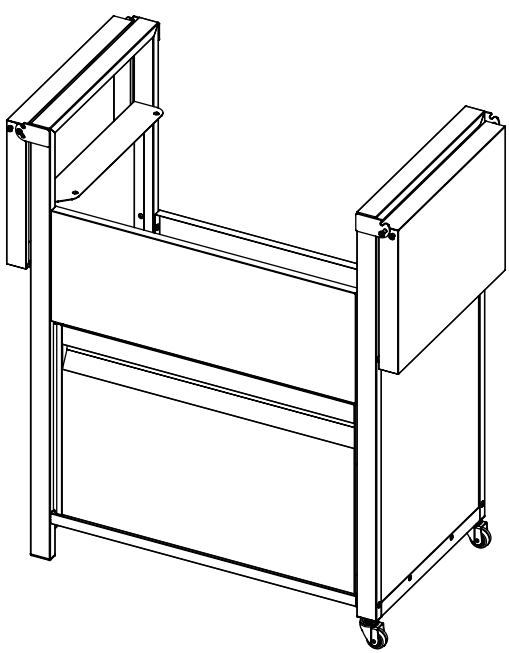


(2) The top front panel will slot into bracket on the top of the front door panel.

5



6



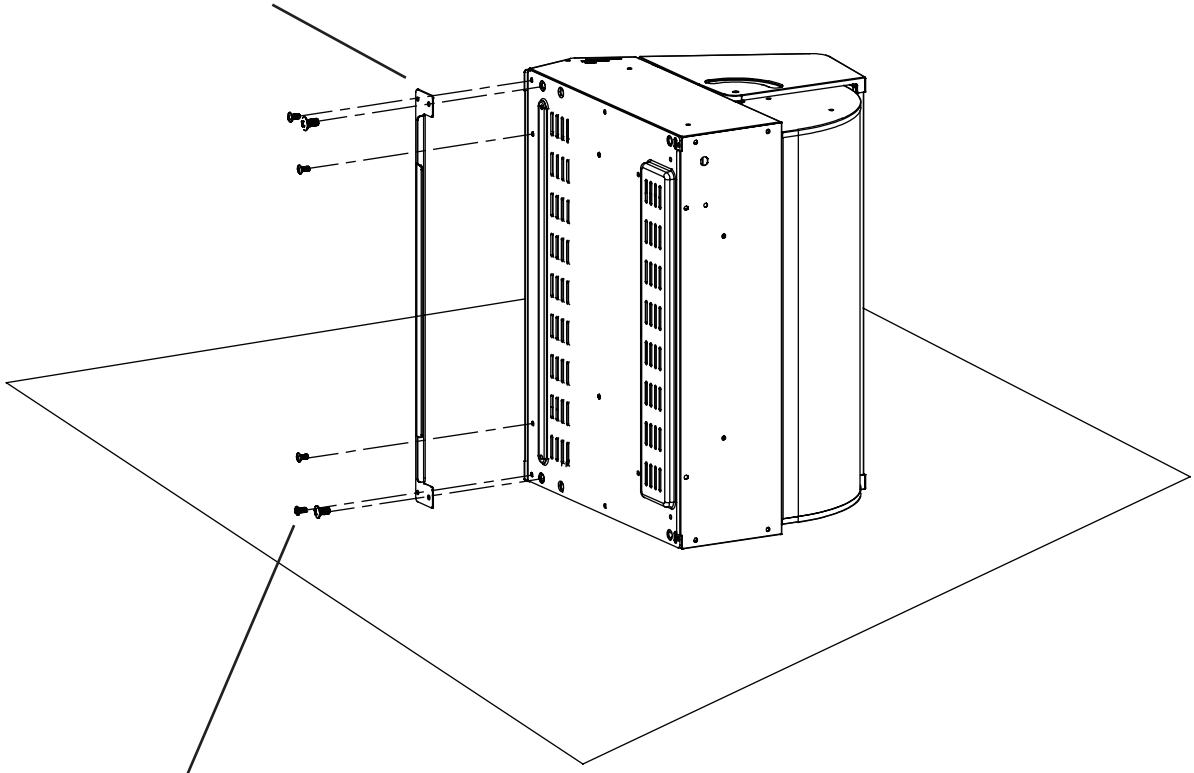
Lift the Trolley up

Side shelf unfold: a-b-c-d

Note: The side shelves are already attached and can fold up or down.

7

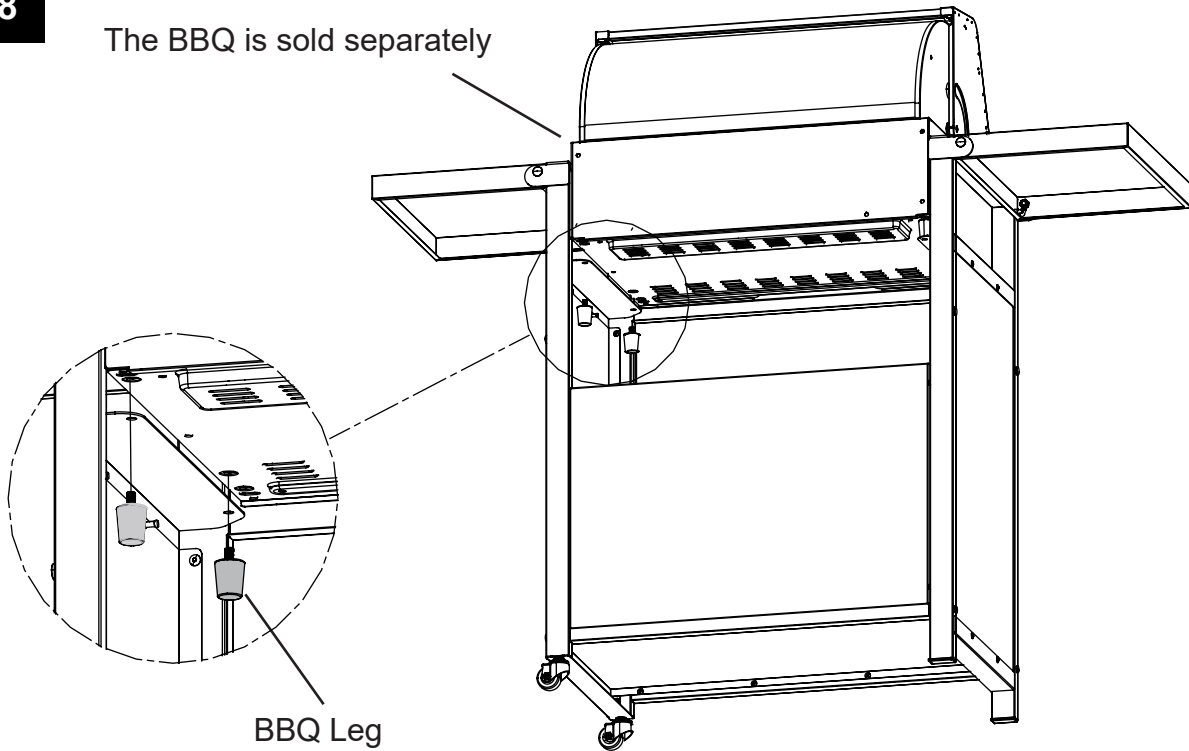
Remove the bottom bracket from the BBQ (If Applicable only)



Note: These 4 small screws need to be reinstalled after the bottom bracket is removed.

8

The BBQ is sold separately



Carefully slide the BBQ into position within the Trolley from the top, ensuring it is properly aligned. Then, firmly secure the BBQ in place by tightening the screws at the BBQ leg to ensure stability and safety.

