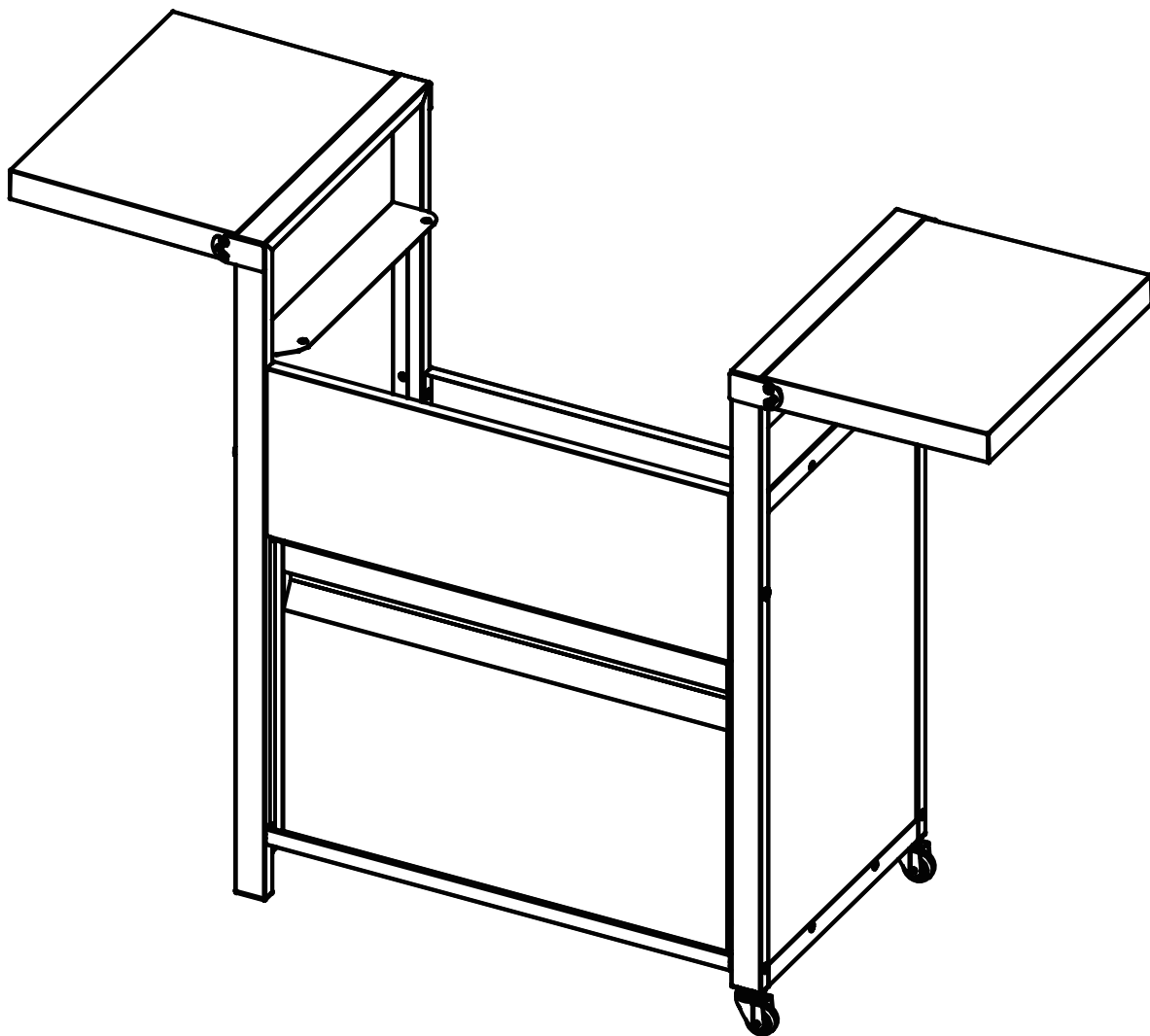




TROLLEY ASSEMBLY INSTRUCTION



Thermofilm Australia Pty Ltd
8 Lakeview Drive Scoresby
Victoria 3179, Australia
Telephone: (03) 9562 3455
Email: Sales@crossray.com.au

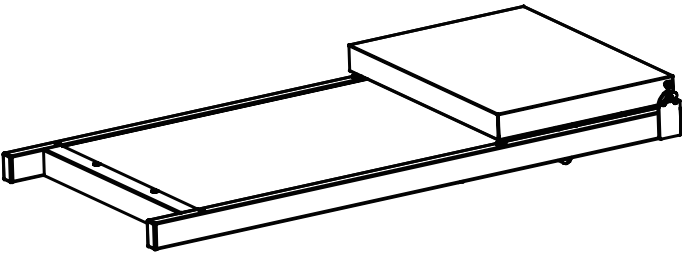
CONTACT INFORMATION

For spare parts order or service warranty and Natural Gas Conversion queries call (03) 9562 3455 or email Sales@crossray.com.au Your purchase receipt is required for all warranty claims. Retain manual for future reference.

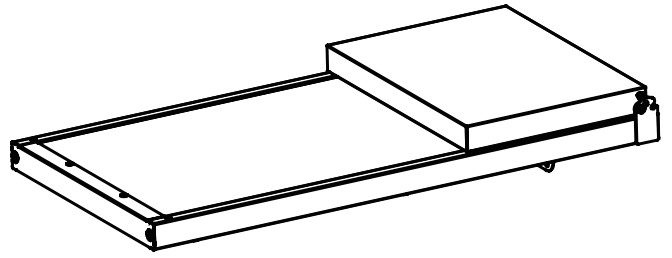
DATE: 11.Apr.2024

Part list

① Trolley Side Left (1Pcs)



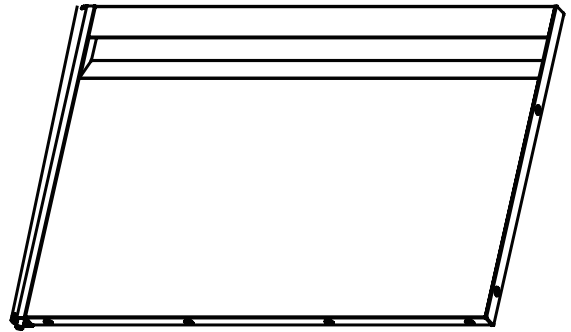
② Trolley Side Right (1Pcs)



③ Bottom Panel (1Pcs)



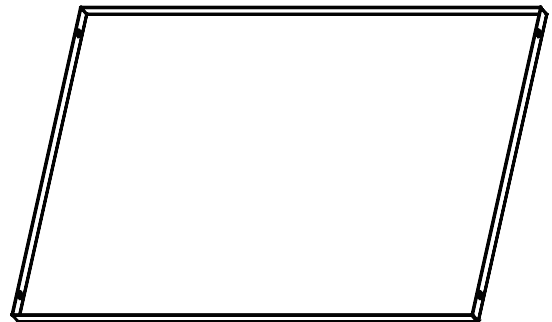
④ Door (1Pcs)



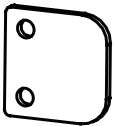
⑤ Front Panel (1Pcs)



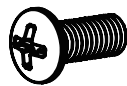
⑥ Back Panel (1Pcs)



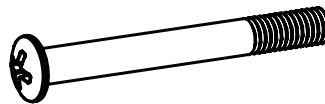
⑦ Door Stop Plate (1Pcs)



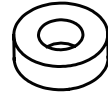
⑧ Screw (10Pcs)



⑨ Part Thread Screw (4Pcs)



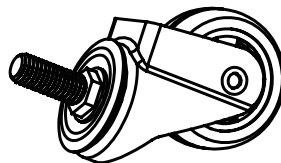
⑩ Plastic (1Pcs)



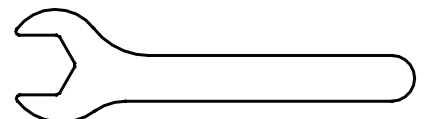
⑪ Spring Washer (2Pcs)



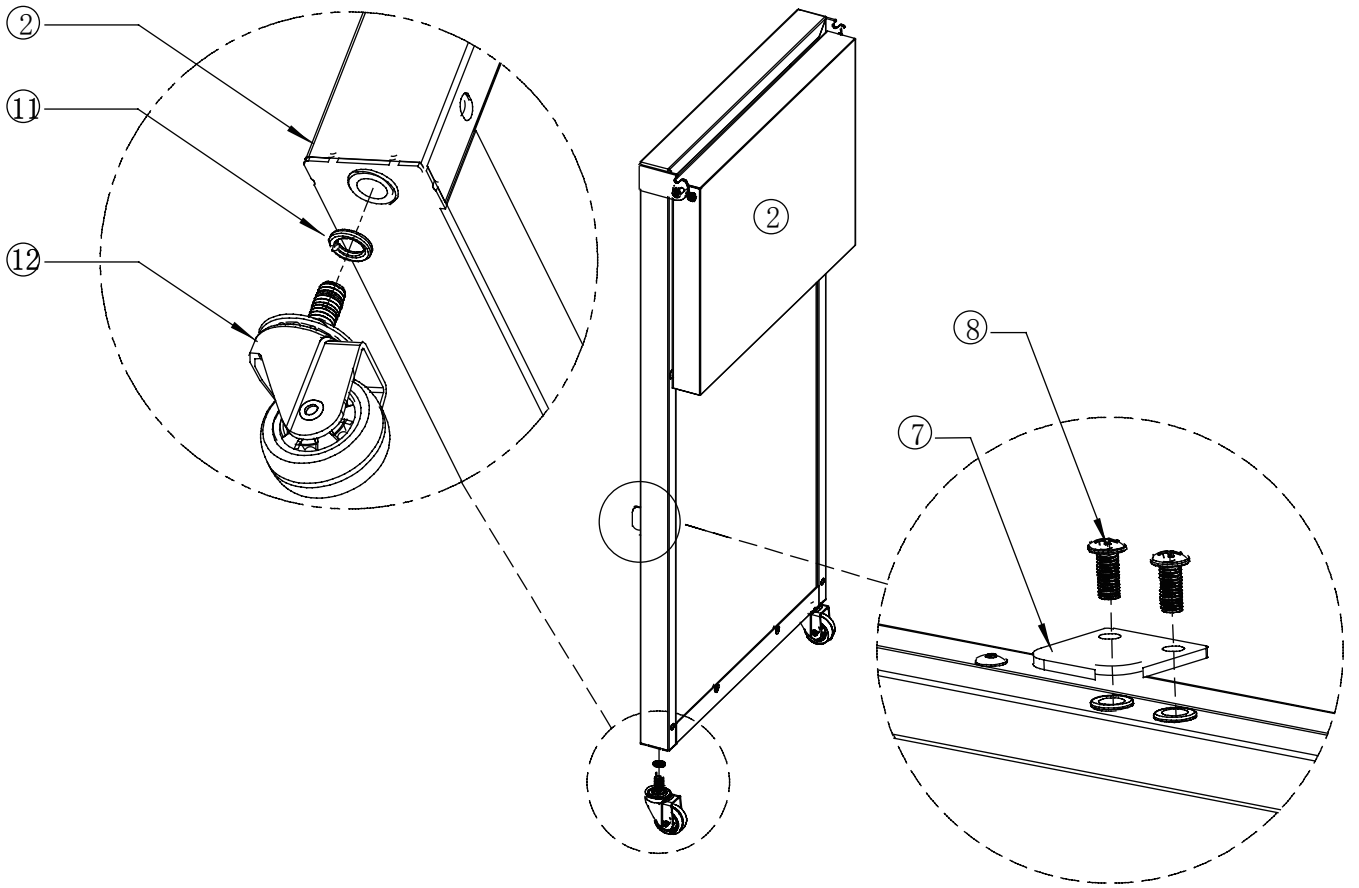
⑫ Wheel (2Pcs)



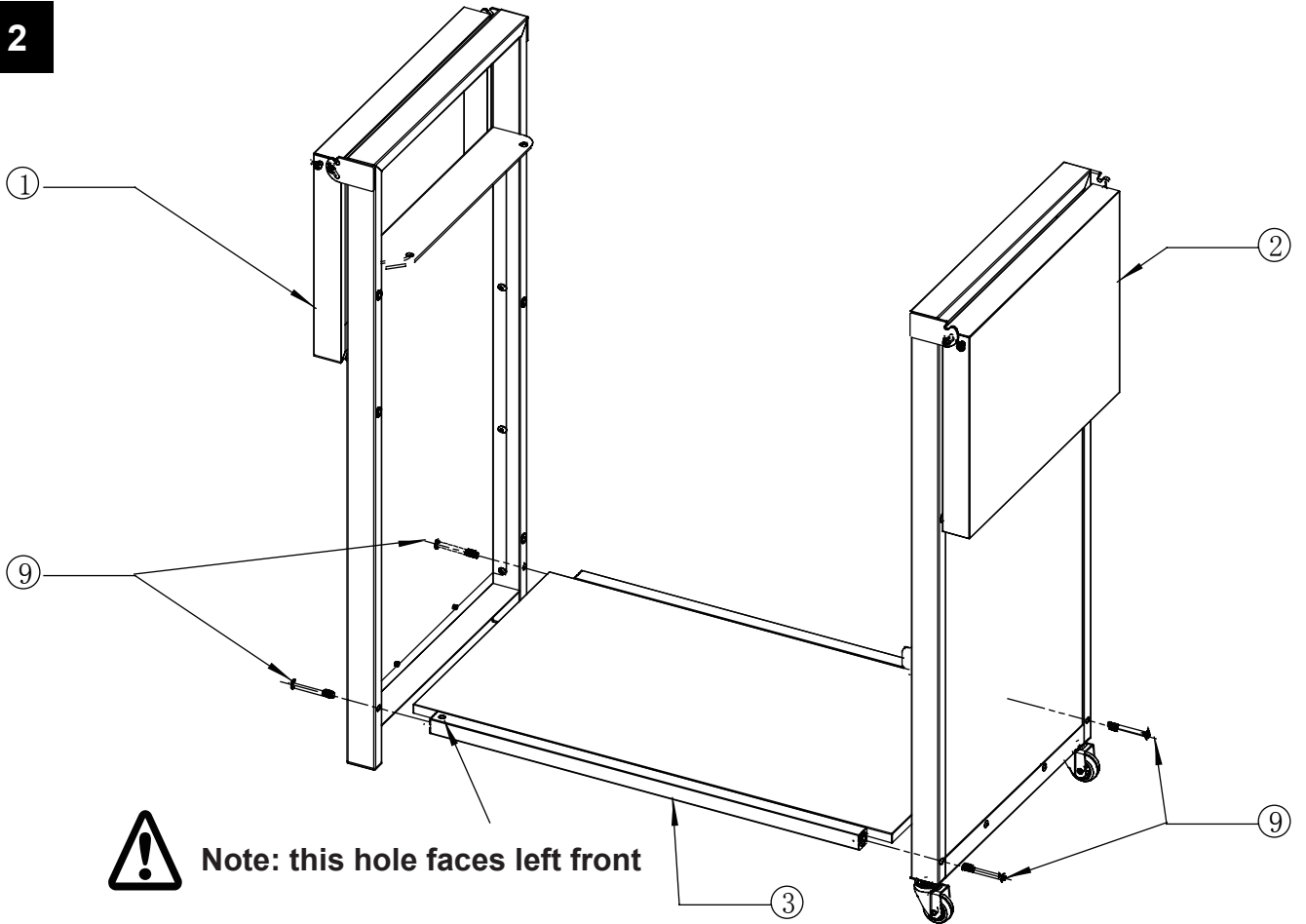
⑬ Wrench (1Pcs)



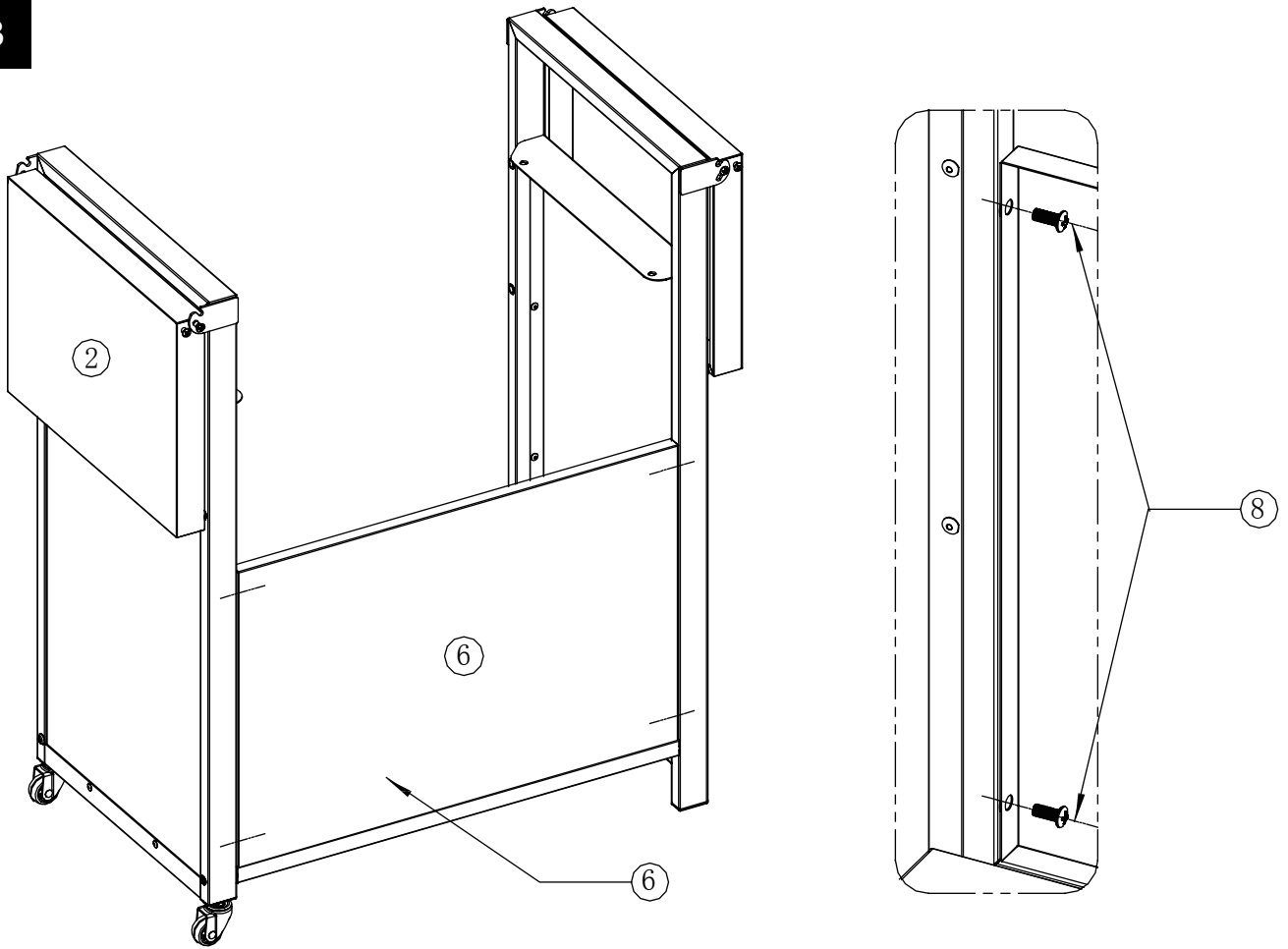
1



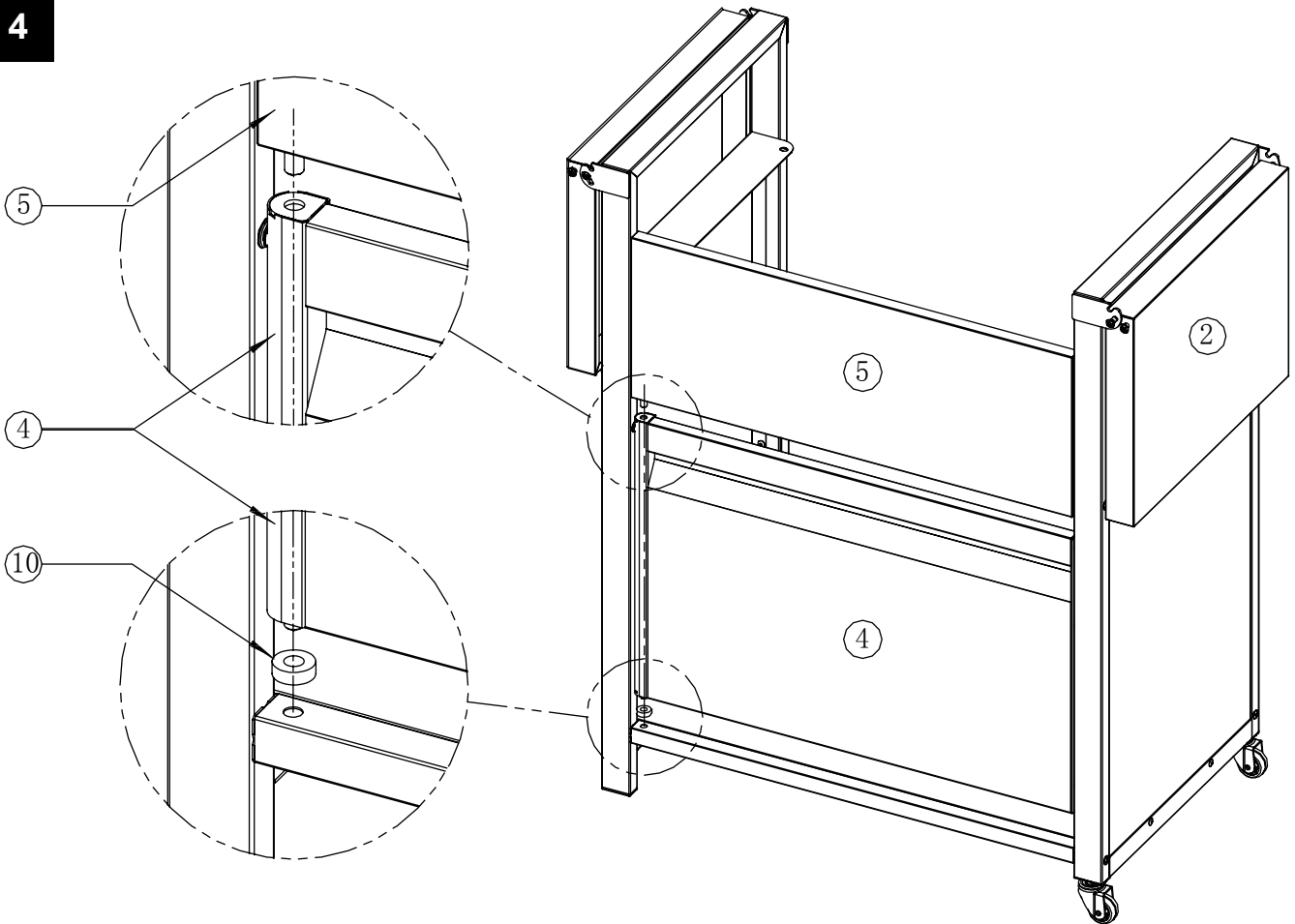
2



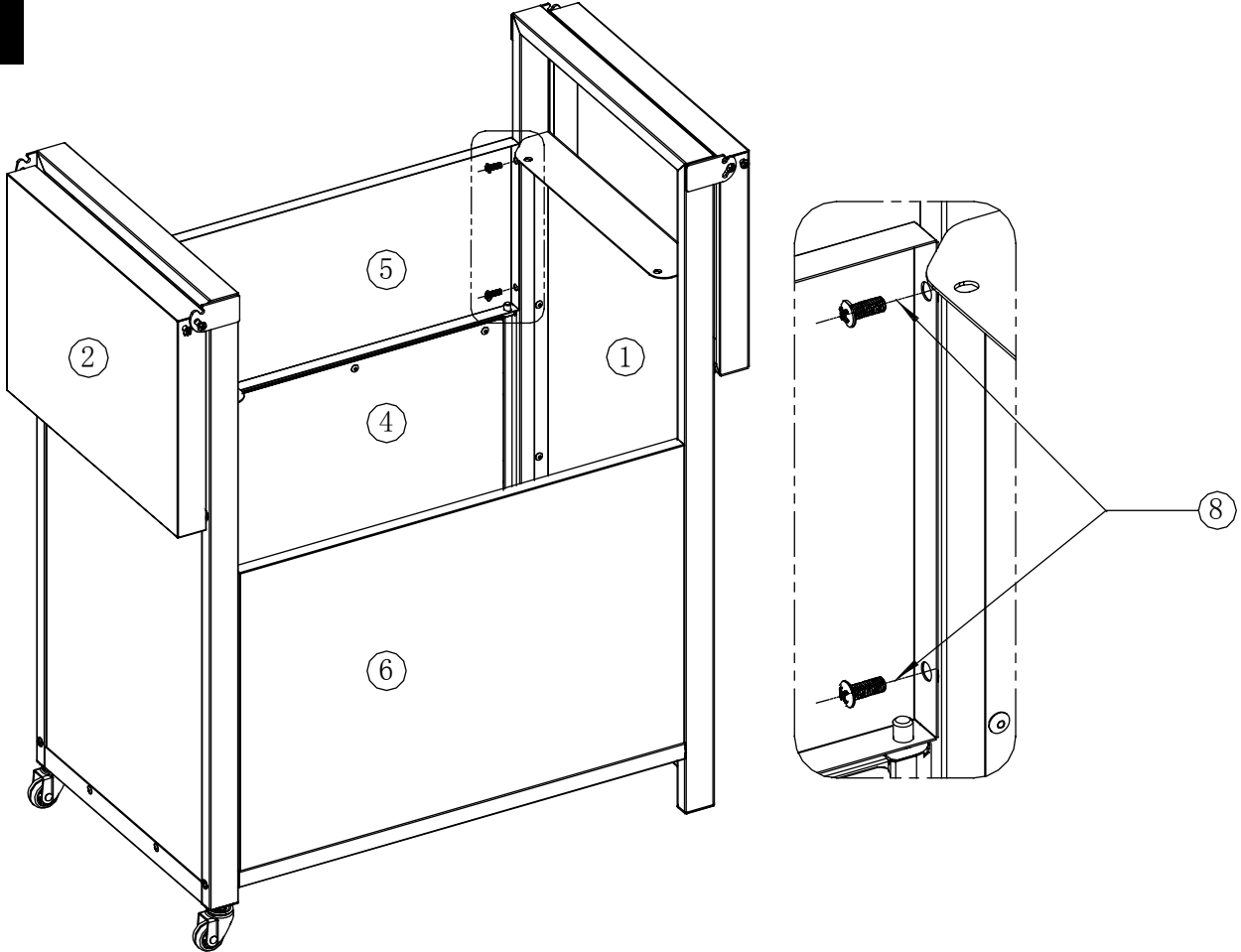
3



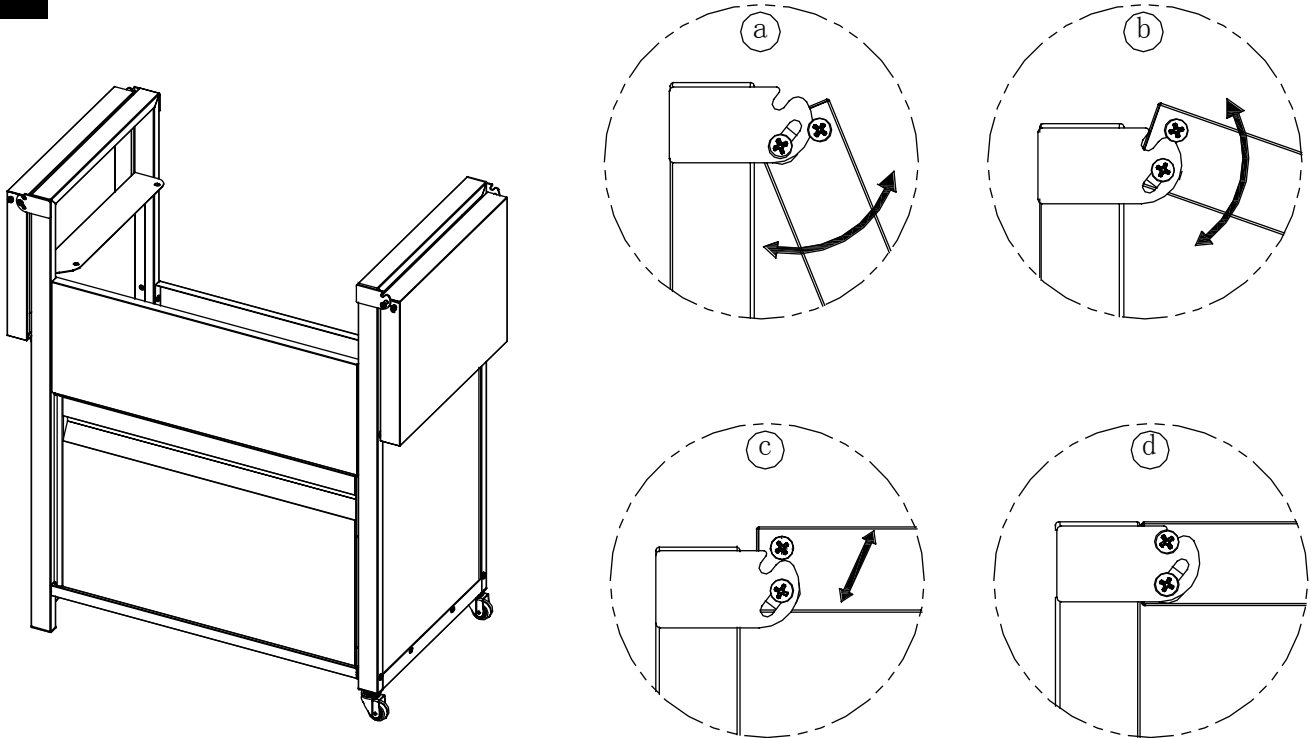
4



5



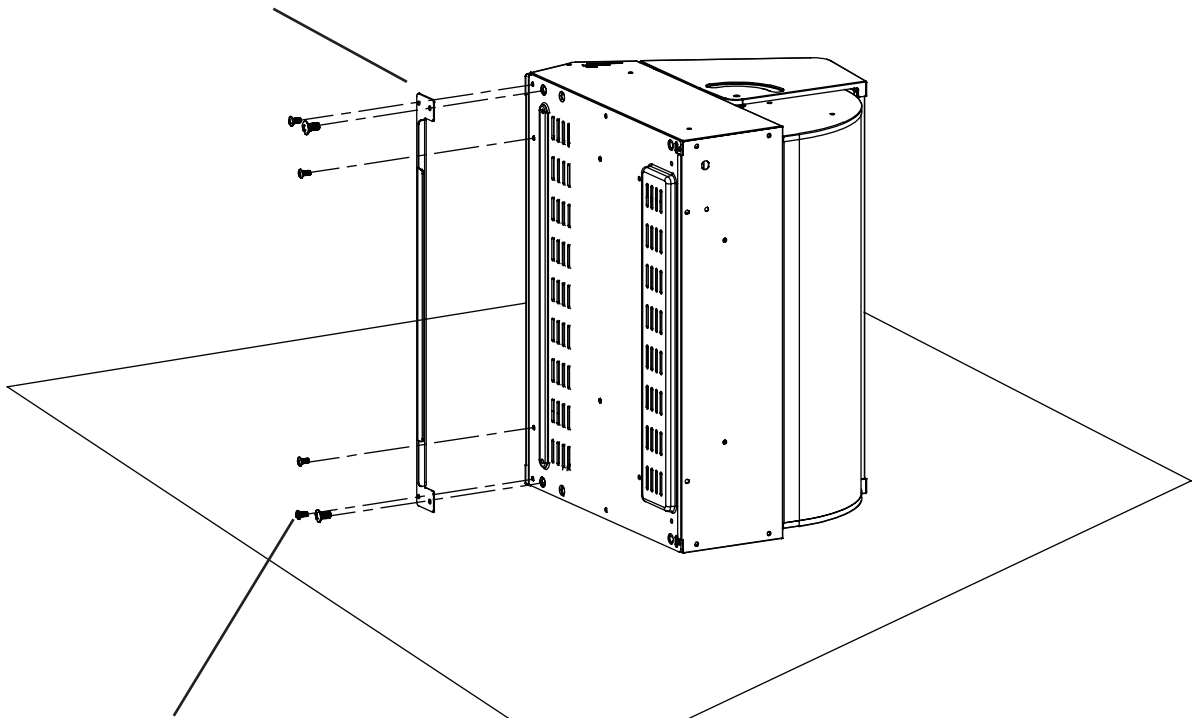
6



Side shelf unfold: a-b-c-d

7

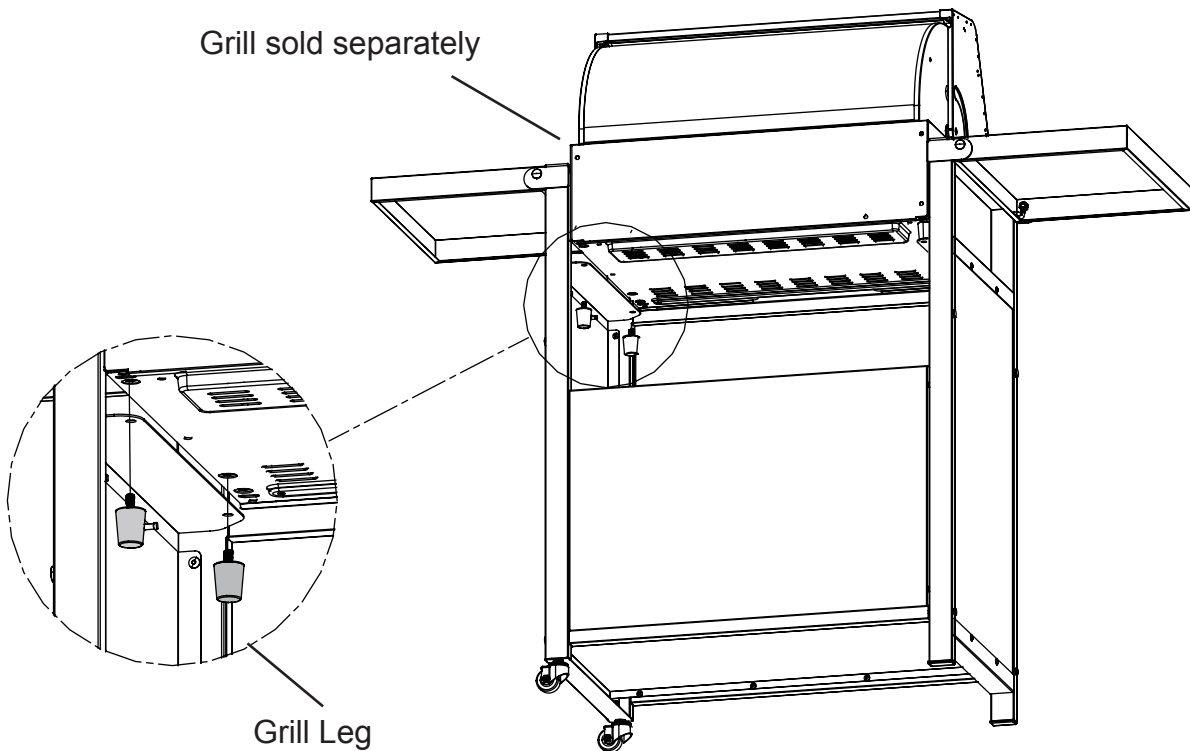
Remove bottom bracket from grill



Note: These 4 small screws need to be reinstalled after removing the bottom bracket.

8

Grill sold separately



Grill Leg

Insert the grill into the cart from above and secure it with screws at the grill leg.

