

Lowline Swivel Mixer

Stainless Steel | 35mm Cartridge

5
Litres Per
Minute

304
Stainless
Steel

5
Year
Warranty*

*Parts & Labour
+ additional 5 Years
cartridge parts only



COLOURS



Stainless Steel: BDTL210X

PRODUCT FEATURES

BUILT TO ENDURE

Crafted from solid 304 grade stainless steel, Belling Design tapware is lead free and highly resistant to rust and not prone to chipping like a traditional chrome mixer.

HYGENIC

All stainless-steel tapware is produced using “Soft Silk” technology which ensures a smooth, non-porous internal surface, resulting in no bacteria or water contamination.

PREMIUM COMPONENTS

A 35mm ceramic disc cartridge combined with an easy glide handle provides smooth operation and precise temperature control.

5 STAR EFFICIENCY

All stainless steel mixers offer a 5 Star WELS rating providing the perfect balance of flow rate and efficiency.

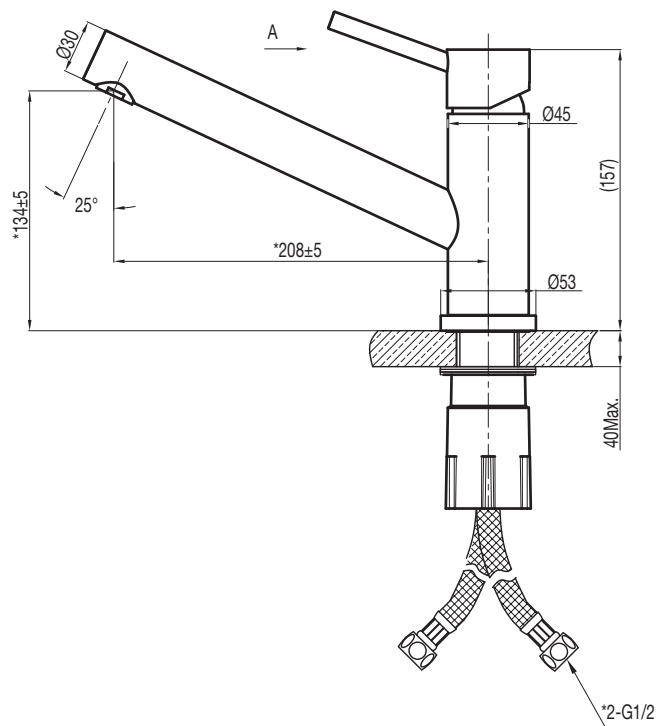


SWIVEL
ACTION



STAR WELS
RATING

Specifications, Dimensions and Installation



FEATURES	
Style	Lowline, Non Pull-Out
Tap Swivel Range	360°
Cartridge Size (mm)	35
WELS Star Rating	5
Flow Rate (Litres Per Minute)	5
Body Diameter (mm)	45
Spout Reach (mm)	208
Mixer Height (mm)	178
Material	304 Grade Stainless Steel
Finish	Stainless Steel
INSTALLATION	
Cut-Out (mm)	Ø 35
Minimum Operating Pressure	150kPa
Minimum Operating Temperature	1°
Maximum Operating Pressure	500kPa
Maximum Operating Temperature	70°
DIMENSIONS (PACKED)	
Width x Height x Depth (mm)	400 x 70 x 280
Gross Weight (kg)	2.3
DIMENSIONS (PRODUCT)	
Width x Height x Depth (mm)	53 x 178 x 248
Net Weight (kg)	2
WARRANTY	
Parts & Labour	5 Years*
Cartridge	10 Years (Replacement Only*)

*Terms and Conditions apply

