

TCE22HT



eXtreme

Electric Portable BBQ

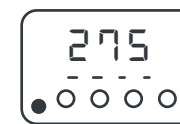


KEY FEATURES

- Carbon-fibre infrared elements provide instant high performance.
- High hood design for even the largest of meats. Also includes a warming rack.
- Digital control panel.
- Meat probe is included to set the preferred cooking temperature.
- All black construction; ideally matched to modern décor.
- Perfect for all types of cooking: grilling, roasting large meats, low & slow.



Controllable even heat from 140 - 300°C +

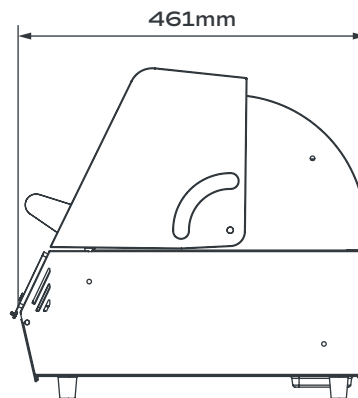
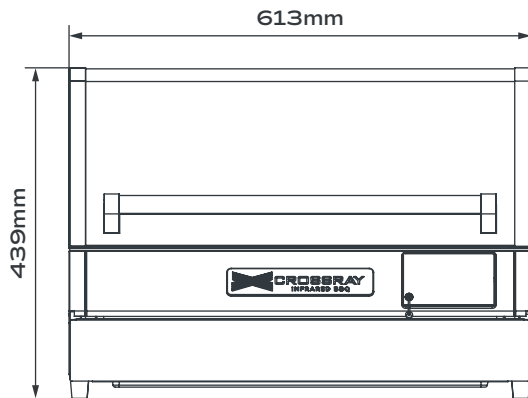
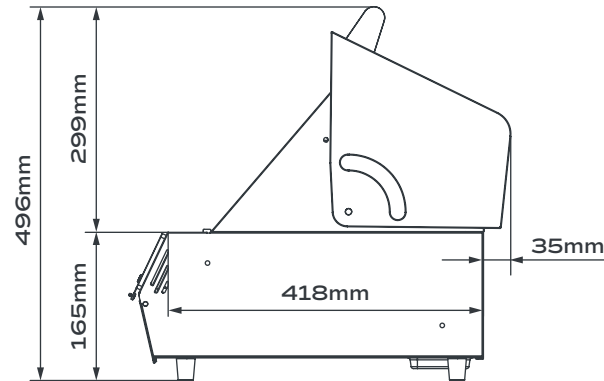
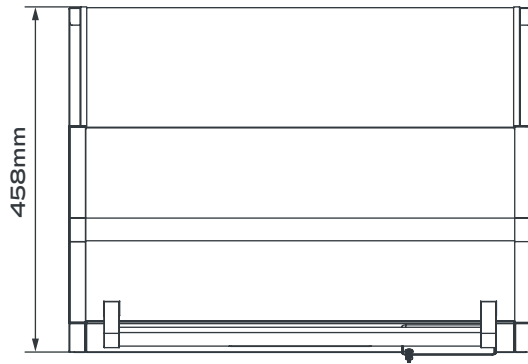


Digital control panel



Meat probe included to set the preferred cooking temperature

TCE22HT



BBQ

Colour	Black
Fuel Type	Electric
Width x Depth x Height	613 x 435 x 457mm
Cooking Area	2772cm ²
Power	2200W / 240V
Main Burner	Carbon Fibre Infrared Elements
Grill Material	Steel Porcelain Enamel
Meat Probe	Included
Cooking Performance	300°C +
Display	Digital, Programmable

INSTALLATION

Electrical Connection	3 Pin
-----------------------	-------

OPTIONAL ACCESSORIES

Hotplate	Yes
Cover	Yes
Rotisserie Kit	Yes
Roasting Rack	Yes

WARRANTY

Years	2
-------	---