

## TAR1200S

### 1200mm Technika Stainless Steel Alfresco BBQ Rangehood

- Electronic touch control
- Airflow 2000 m3/hr
- 3 Speed
- Timer
- Twin motors
- 8X stainless steel baffle filters
- High quality grade stainless steel
- 4X LED lamps
- Connection: 10amp



#### Fan speed

With 3 fan speeds you control the level of air you need to remove different levels of odours. For example, if cooking food with a strong odour like fish, the highest level of speed can be selected so odours are removed quickly.

#### Easy to Clean

Our rangehoods are made from high grade stainless steel which makes cleaning a breeze.

#### Design

This rangehood has been designed to compliment all of the cooking appliances in the Technika range.

#### Superior extraction

Extraction rate allows for easy removal of odours, perfect for alfresco areas.

#### LED lamps

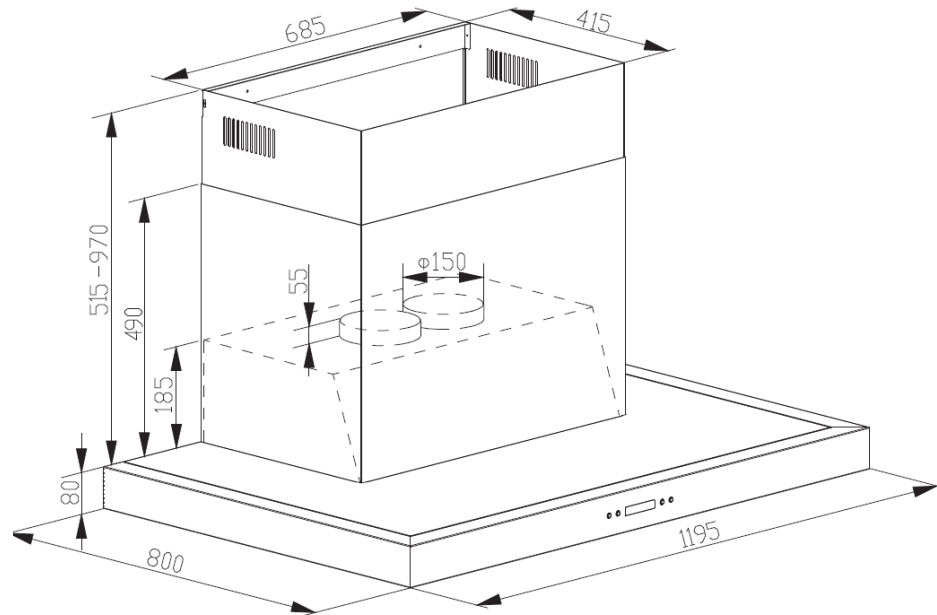
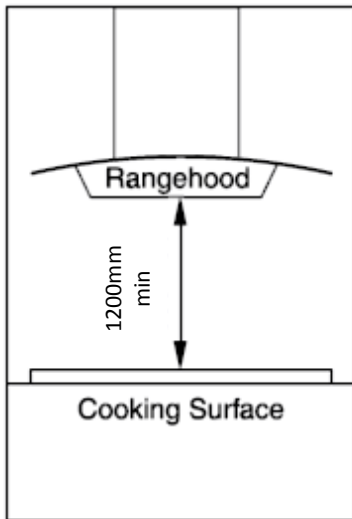
LED lamps are known for low energy consumption and long life, making them an efficient source of energy.



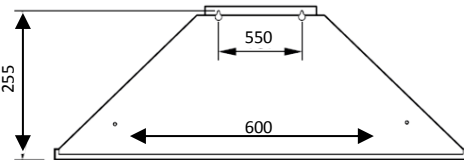
# TAR1200S

## 1200mm Technika Stainless Steel Alfresco BBQ Rangehood

### Minimum Clearances



Fixing Points  
Rear View



| Dimensions   | Width | Height | Depth |
|--------------|-------|--------|-------|
| Cut-Out (mm) | 1197  | N/A    | 802   |
| Product (mm) | 1195  | N/A    | 800   |

Install Range Hoods in accordance with the manufacturer's instructions. Alfresco Rangehoods installed above a BBQ must be a minimum of 1200mm from the top of the cooking surface to the underside of the rangehood.

### READ THE INSTRUCTION BOOKLET BEFORE INSTALLING AND USING THE APPLIANCE.

The manufacturer will not be responsible for any damage to property or to persons caused by incorrect installation or improper use of the appliance. The manufacturer is not responsible for any inaccuracies, due to printing or transcription errors, contained in this handout. In addition, the appearance of the figures reported is also purely indicative.

The manufacturer reserves the right to make changes to its products when considered necessary and useful, without affecting the essential safety and operating characteristics.

Technika constantly seeks ways to improve the specifications and designs of their products.

Whilst every effort is made to produce up to date literature, this document should not be regarded as an infallible guide.

Actual product only should be used to derive cut out sizes.

All Technika Appliances must be installed by a qualified person/s with adherence to the relevant electrical, plumbing and AGA codes, with compliance being issued as required by state or national legislation.

Additionally all Technika Upright cookers must have chains installed correctly in adherence to the relevant AGA, and plumbing codes by the Licenced installer.

For maximum effectiveness and efficiency all rangehoods should be installed with the use of ductwork, by a licenced installer with adherence to the relevant state and national building codes and regulations.

All Technika appliances are for Domestic use only, and must be installed by a licence installer into Domestic Applications only, without exception and to the required Authorities guidelines.

Any installation outside of this will VOID warranty. Alfresco Rangehoods must be installed undercover and appropriately protected from the elements.

